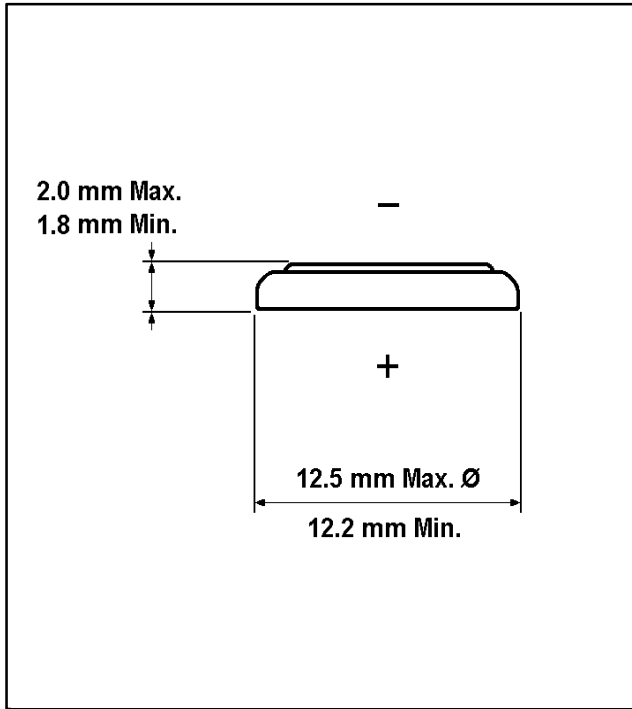


## Lithium Manganese Dioxide Battery

## CR1220



### SPECIFICATIONS

Minimum No Load Voltage:	3.1 V
Minimum On Load Voltage:	2.1V on 470Ohms at 1000

Minimum Life	564 H 4.7k Ohms Hr/Day 2 V
--------------	----------------------------

Rated Capacity	34 mAh on 4.7kOhms to 2V
----------------	--------------------------

Volume	.25 cm <sup>3</sup>
--------	---------------------

Weight	.8g
--------	-----

Physical Size in mm	Max	Min
Height/Length	2	1.8
Width/Diameter	12.5	12.2
Depth		

### Typical Discharge Characteristics

