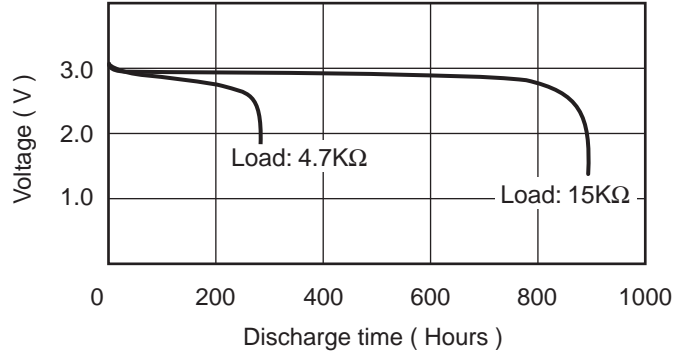


# Data Sheet

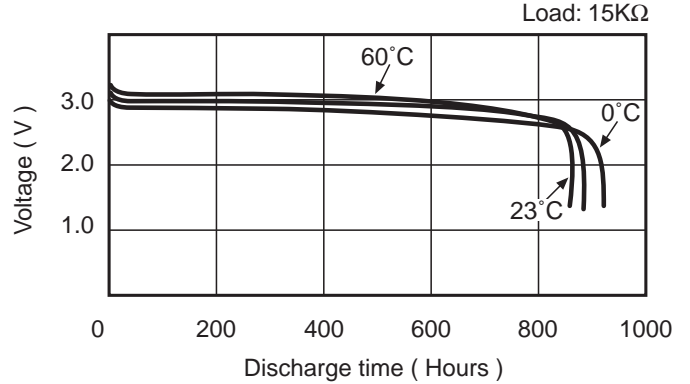
Model No.: CR2025

Description : Flat Lithium Battery  
 Chemical system : Lithium Manganese Dioxide  
 Nominal voltage : 3 Volts  
 Nominal capacity : 150mAh  
 Dimensions :  $\varnothing 20.0 \times 2.5$ mm  
 Shelf life : 5 years at room temperature  
 Average weight : 2.5 grams  
 Applications : Computer memory back up,  
 photo

## Discharge characteristics on Load At 23°C

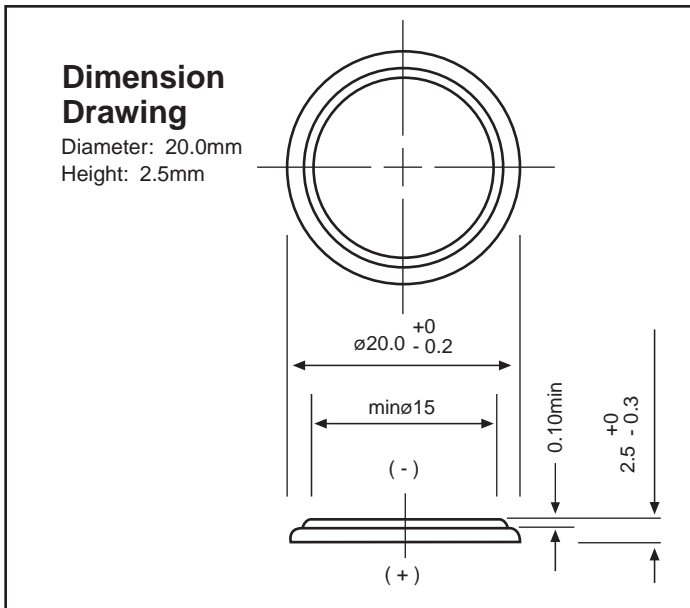
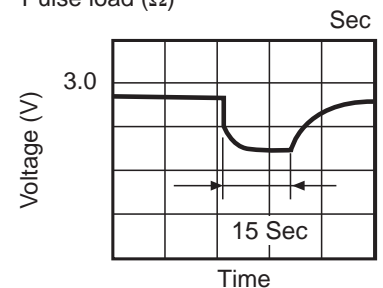
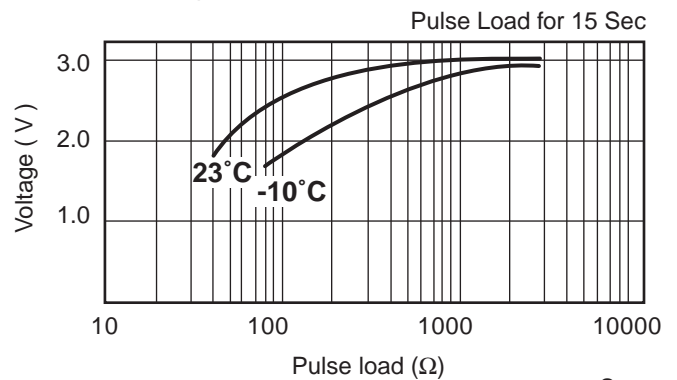


## Discharge characteristics on temperature Load: 15KΩ

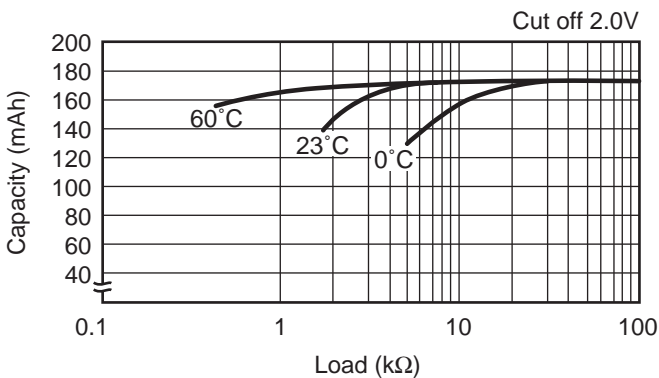


## Discharge characteristics on pulse load

(Discharge depth 40%)  
 Excellent low-impedance characteristics



## Discharge load vs Discharge capacity



## Cross Reference:

IEC	JIS	Eveready	Varta	Duracell
CR2025	CR2025	ECR2025	CR2025	DL2025