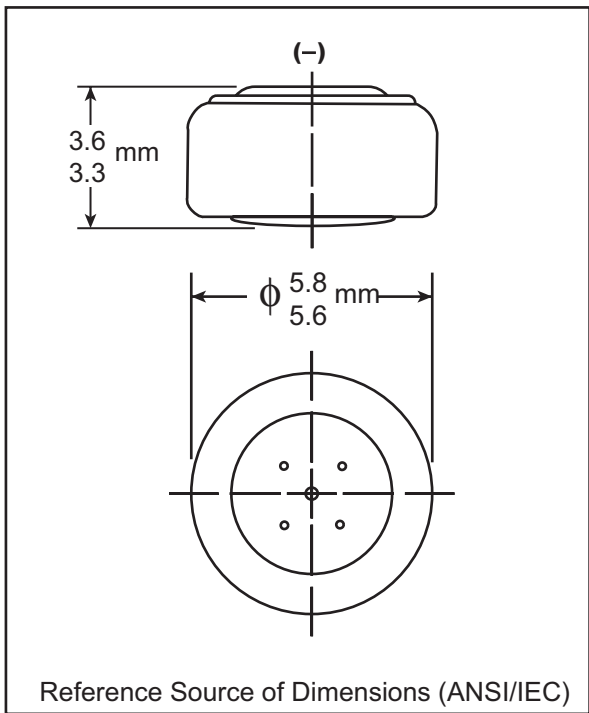


DURACELL® EasyTab®

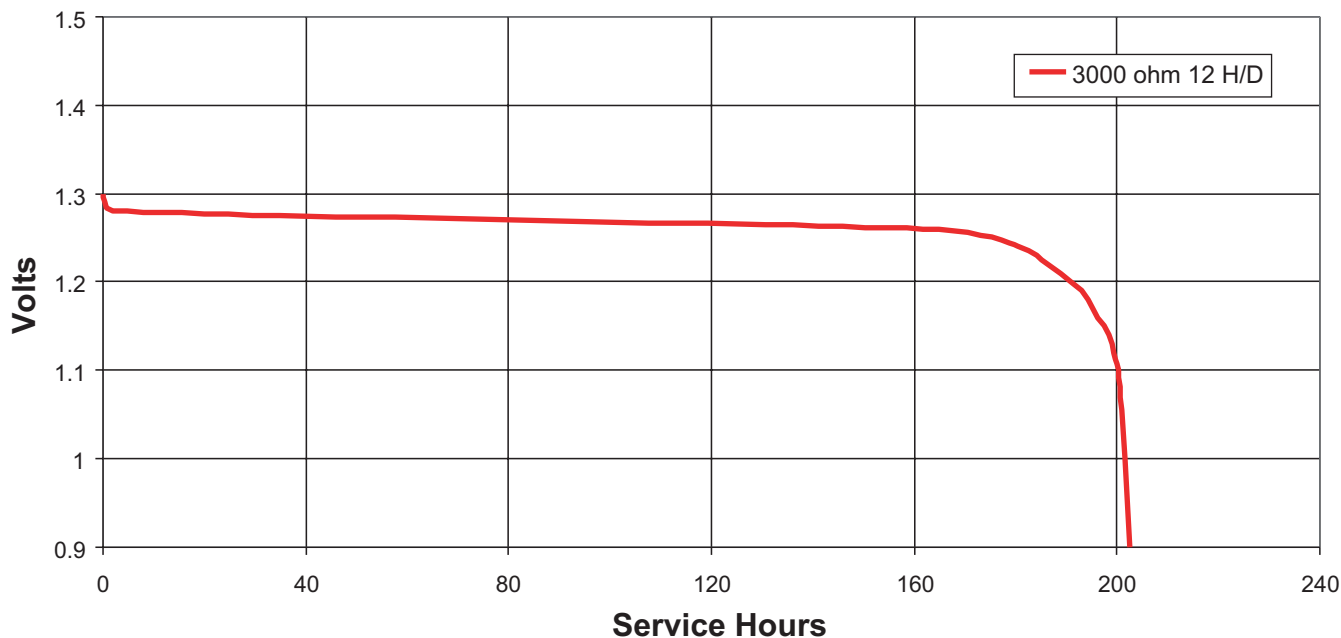
10 Zinc Air Battery

Zn/O₂



Nominal Voltage:	1.4 V
Rated Capacity:	90 mAh at 3000 ohm to 1.1 V at 21°C (70°F)
Nominal Internal Impedance:	16 ohm @ 1kHz
Average Weight:	0.3 gm
Volume:	0.06 cm ³
Terminals:	Flat
Operating Temperature Range:	0°C to 50°C (32°F to 122°F)
ANSI: IEC:	7005 ZD PR70

Typical Discharge Characteristics at 21°C (70°F)



DURACELL®
BATTERIES

* Delivered capacity is dependent on the applied load, operating temperature and cut-off voltage. Please refer to the chart and discharge data shown for examples of the energy / service life that the battery will provide.