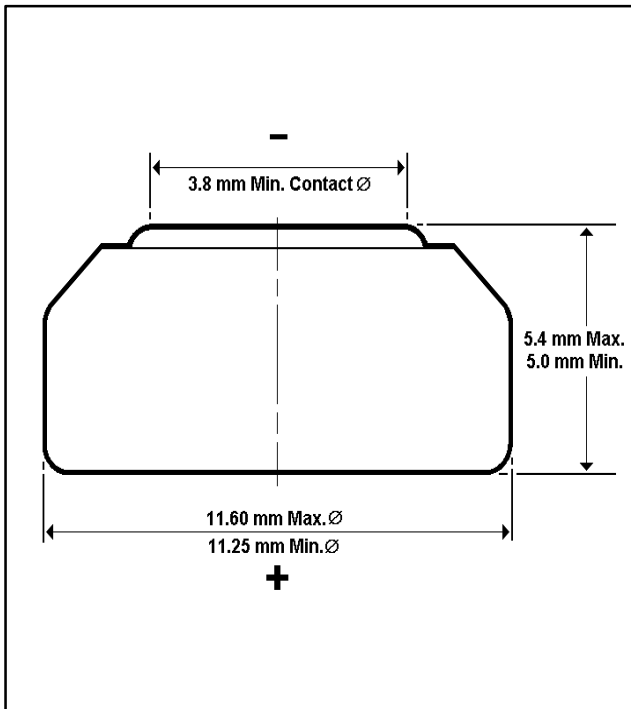


Alkaline Manganese Dioxide Battery



SPECIFICATIONS

Minimum No Load Voltage:	1.5 V
Minimum On Load Voltage:	1.42V on 500ohms at 300

Minimum Life	400 H 6.8k Ohms Hr/Day 1.2 V
--------------	------------------------------

Rated Capacity	105 mAh on 6.8kOhms to .8V
----------------	----------------------------

Volume	.56 cm ³
--------	---------------------

Weight	1.9g
--------	------

Physical Size in mm	Max	Min
Height/Length	5	5.0
Width/Diameter	11.6	11.25
Depth		

Typical Discharge Characteristics

